

# FRIGIDAIRE

**INTERNATIONAL**

## Factory Parts Catalog

Product No.	FGTD20V4GM4	FGTD20V4GW4
Series	134A SYSTEM	134A SYSTEM
Color	silver mist	white
Volts	220	220
Wiring Diagram	241845601	241845601
Owner's Guide	241834202	241834202
Market	Export	Export
Energy Guide	241981012	241981012
Service Data Sheet	240586202	240586202
Installation Instructions	240568304	240568304

### INTERNATIONAL

P.O. BOX 8020  
CHARLOTTE, NC 28262

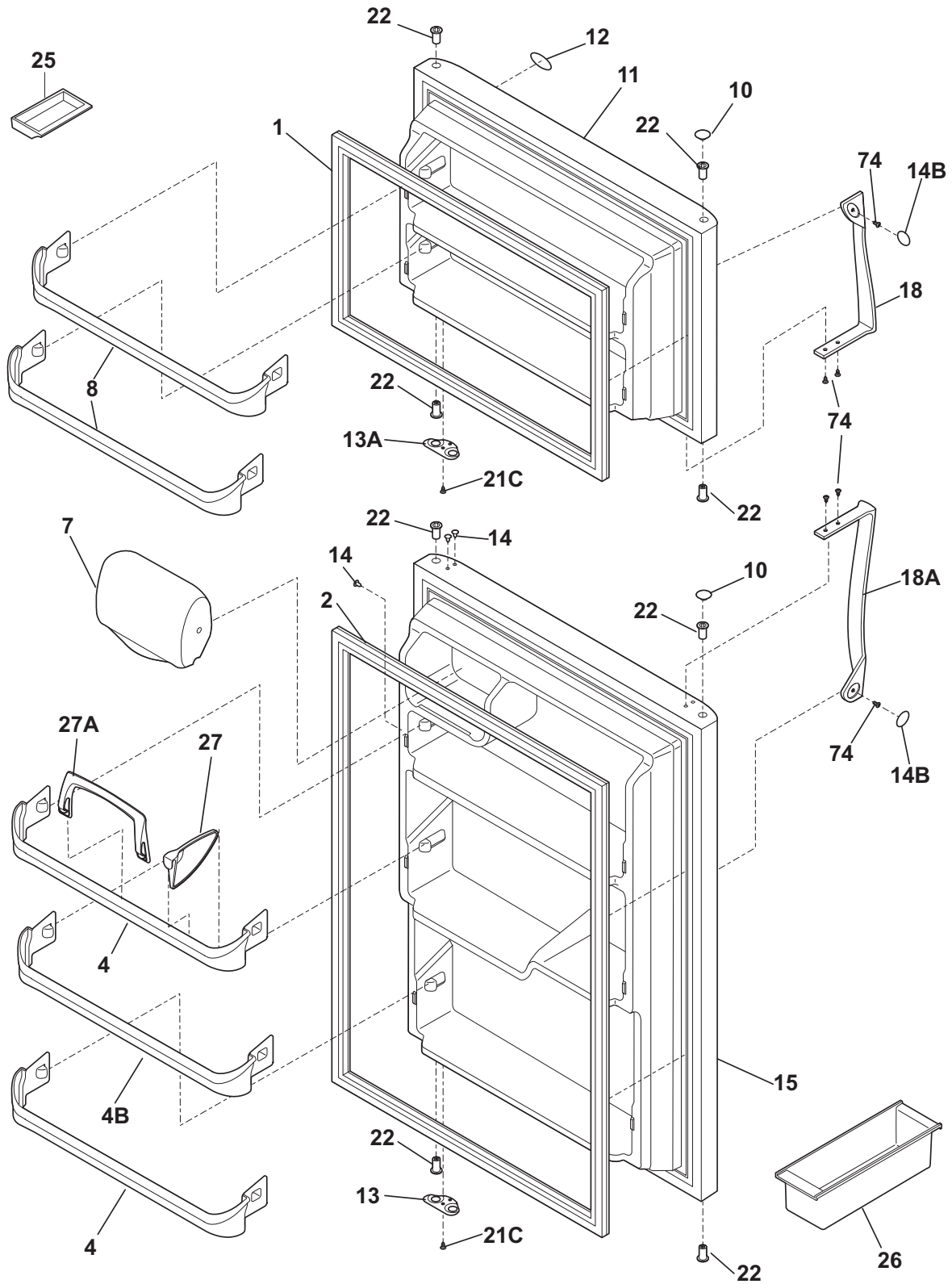
**This Publication Replaces  
Publication # 5995577490**

Publication No.  
**5995684239**  
17/02/03  
(EN/SERVICE/ECL)  
390

### TOP-MOUNT REFRIGERATOR

Model No.  
FGTD20V4G

DOOR



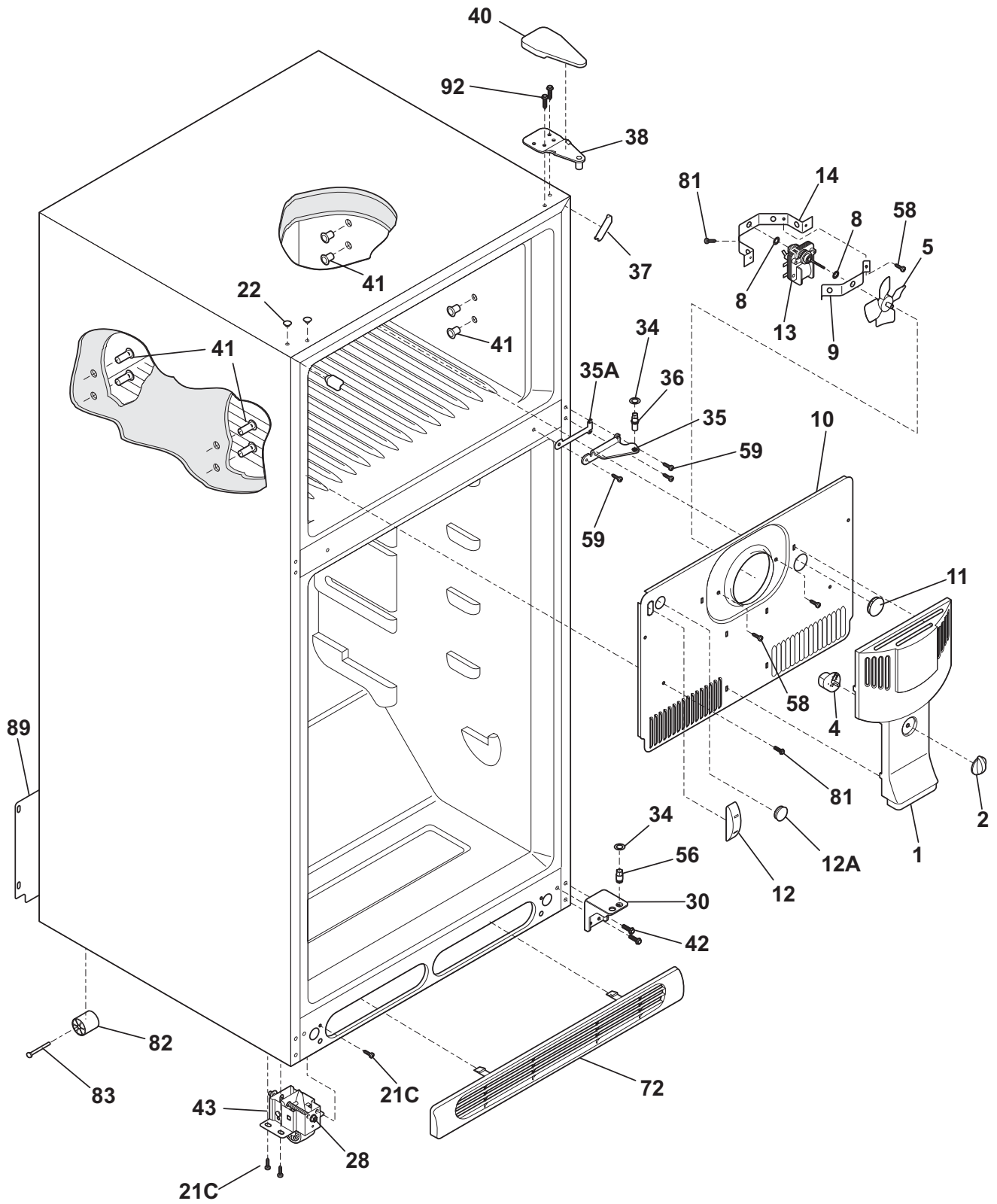
N05DCDCKA2

**DOOR**

*Model Index:* A FGTD20V4G (FGTD20V4GM4)  
 B FGTD20V4G (FGTD20V4GW4)

POS. NO	PART NO.		DESCRIPTION
1 #	241872503	A B	Gasket-frzr door, white, magnetic
2 #	241872506	A B	Gasket-refr door, white, magnetic
4	240534901	A B	Rack-door
4B	240534701	A B	Rack-door, 4B
7	240337717	A B	Door-dairy
8	240534801	A B	Rack-door
10	240381306	A -	Plug-button, silver mist, hinge brg hole
10	240381301	- B	Plug-button, white, hinge brg hole, (2)
11	240409920	A -	Door-frzr, silver mist, complete assy
11	240409901	- B	Door-frzr, white, complete assy
12	240589601	A B	Label-nameplate
12	241956801	A B	Label-nameplate
13	240312405	A -	Door Stop, black, refr
13	240312403	- B	Door Stop, white, ref
13A	240312415	A -	Door Stop, black, frzr
13A	240312414	- B	Door Stop, white, frzr
14	240494006	A -	Plug-button, silver mist
14	240494001	- B	Plug-button, white
14B	240383606	A -	Plug-button, silver mist, door handle
14B	240383601	- B	Plug-button, white, door handle
15	240410133	A -	Door-refr, silver mist, complete assy
15	240410001	- B	Door-refr, white, complete assy
18	240339212	A -	Handle-door, silver mist, refr-LH/frzr-RH
18	240339201	- B	Handle-door, white, refr-LH/frzr-RH
18A	240339211	A -	Handle-door, silver mist, refr-RH/frzr-LH
18A	240339206	- B	Handle-door, white, refr-RH/frzr-LH
21C	218252201	A B	Screw, #8 truss hd, 10-32CA x 0.500
22	240527102	A -	Bearing-hinge, black
22	240527101	- B	Bearing-hinge, natural color
25	5308000716	A B	Dish, butter
26	3204522	A B	Container, egg
27	240396306	A B	Snugger-door bin, "paddle type", water blue
27A	240396106	A B	Retainer-bottle
74	240383406	A B	Screw, truss hd quad, #10-16 x .500, zinc

**CABINET**



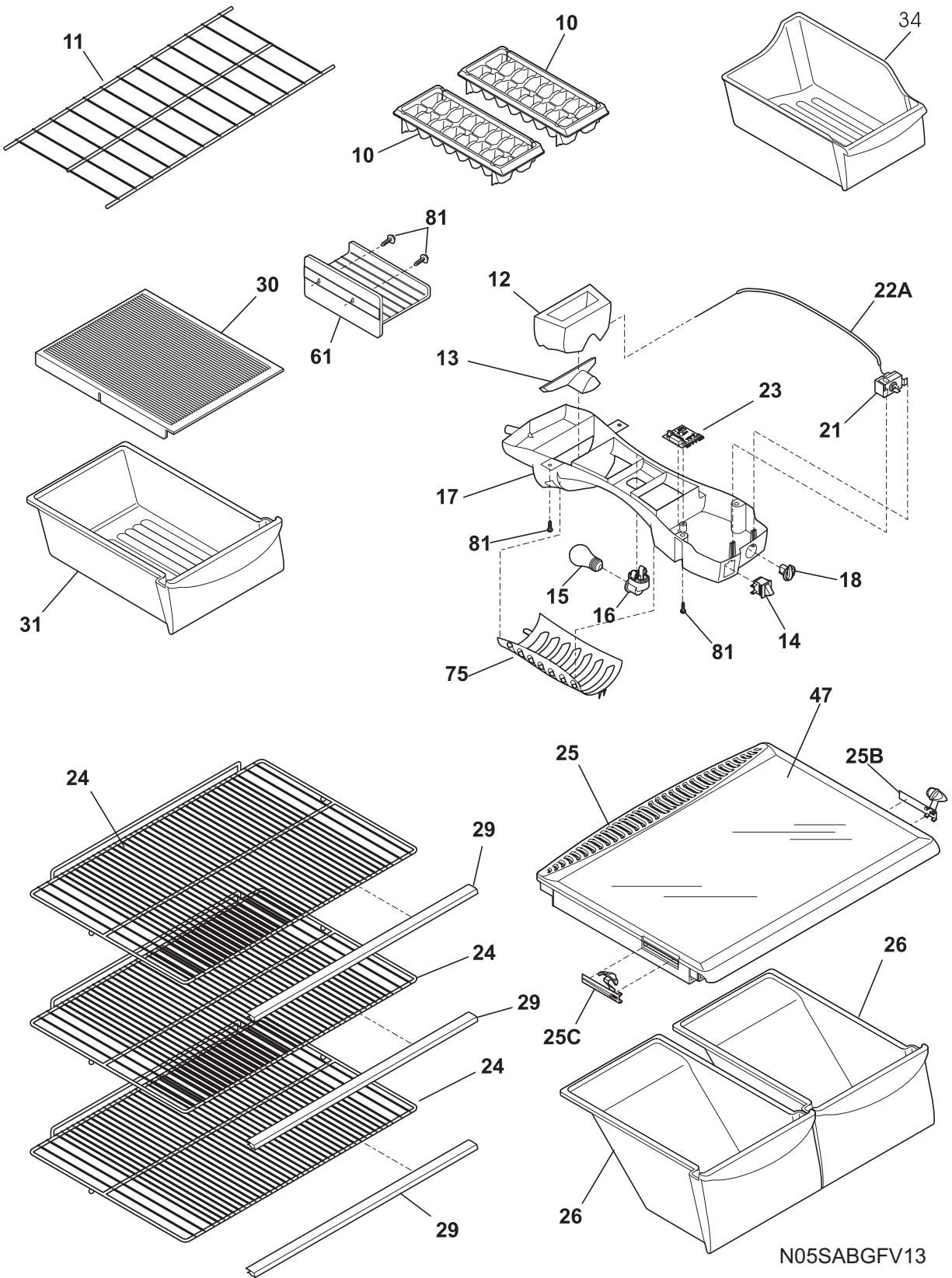
**N05BBAABA37**

**CABINET**

*Model Index:* A FGTD20V4G (FGTD20V4GM4)  
B FGTD20V4G (FGTD20V4GW4)

POS. NO	PART NO.		DESCRIPTION
1	241652306	A B	Cover-fan
2	240367001	A B	Knob-damper control
4	240367401	A B	Damper-fan cover
5 #	5308000010	A B	Fan Blade, red, evaporator fan
8	242014101	A B	Bushing-motor mtg, (2)
9	5303292396	A B	Bracket-motor mtg, front
10	241652214	A B	Cover-evap coil
10*	240568601	A B	Seal-coil cover
10*#	241832601	A B	Harness-wiring, freezer
11	5303208309	A B	Plug-hole, factory test
12	241557601	A B	Plug-ice maker harness, rectangular
12A	240374401	A B	Plug-wtr inlet tube, round, 1"
12A*	241586701	A B	Plug-foam-wtr-inlet, round
13 #	241832301	A B	Motor-evap fan
13*	215474201	A B	Washer, "slinger", nylon, evap fan shaft
13*	218931001	A B	Clamp-motor wiring, nylon, w/adhesive tape
14	5303292397	A B	Bracket-motor mtg, rear
14*	240433204	A B	Screw, hex washer head, 8-18 x 5/16
21C	218252201	A B	Screw, #8 truss hd, 10-32CA x 0.500
22	215774920	A -	Plug button, silver mist
22	215774901	- B	Plug-button, white, upr hinge holes
28	240335502	A B	Bolt-roller adj, hex washer head, 1/4-20 x 4.020, (2), special
30	240314011	A B	Bracket-lower hinge, zinc
34	240311303	A B	Washer, hinge, nylon, (2)
35	240313802	A -	Bracket-ctr hinge, white
35	240313806	- B	Bracket-ctr hinge, zinc
35A	240336802	A B	Spacer-hinge, center
36	240516402	A B	Pin-center hinge
37	241611308	A -	Trim-cabinet corner, silver mist, (2)
37	241611301	- B	Trim-cabinet corner, white, (2)
38	240313703	A B	Bracket-upper hinge
40	240354406	A -	Cover-upper hinge, silver mist
40	240354401	- B	Cover-upper hinge, white
41	5308009759	A B	Grommet, shelf mtg, 1.25", LH, (4)
42	240578902	A B	Screw, hex head, 1/4-20 x 5/8
43	240335005	A B	Roller Assy, adjustable, front, (2)
56	240516502	A B	Pin-lower hinge
58	5304456287	A B	Screw, hex washer head, 8-15A x 0.500
59	240442706	A B	Screw-#10-32 X 3/4, zinc
72	241839412	A -	Grille/Kickplate, silver mist
72	241839405	- B	Grille/Kickplate, white
81	5304455650	A B	Screw, hex washer head, 8-15A x 0.625, Low Profile
82	5304418225	A B	Roller, compressor base, rear, (2)
83	5304455655	A B	Rivet, flat head, 1/4 OD x 1-3/4, roller pin
89	241736402	A B	Cover-access, w/label
89*	241500304	A B	Screw, hex washer head, 8-18AB x 0.625
92	241710601	A B	Screw, hex washer hd, 1/4 x 7/8, hinge mtg
*	218515401	A B	Clip-grille
*	5303321319	A B	Paint, touch-up, white

**SHELVES**



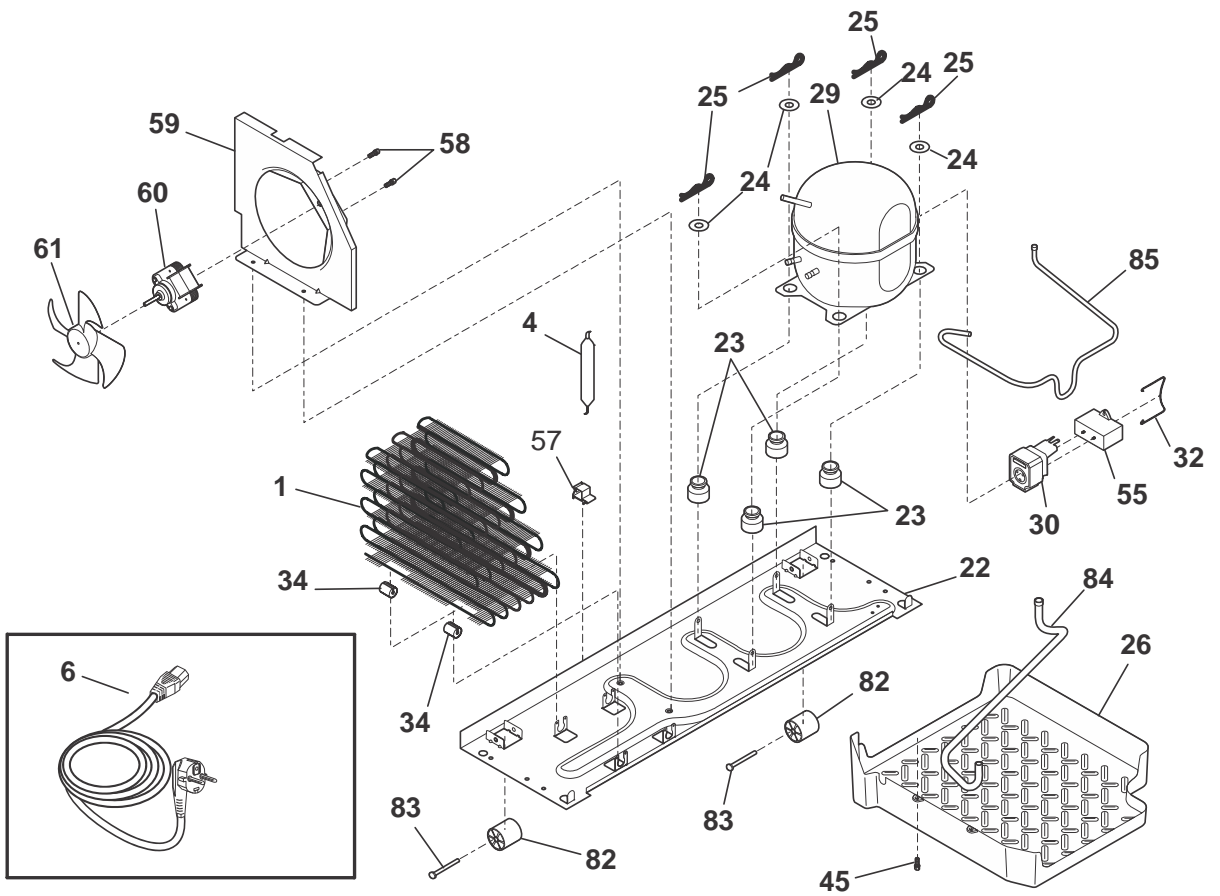
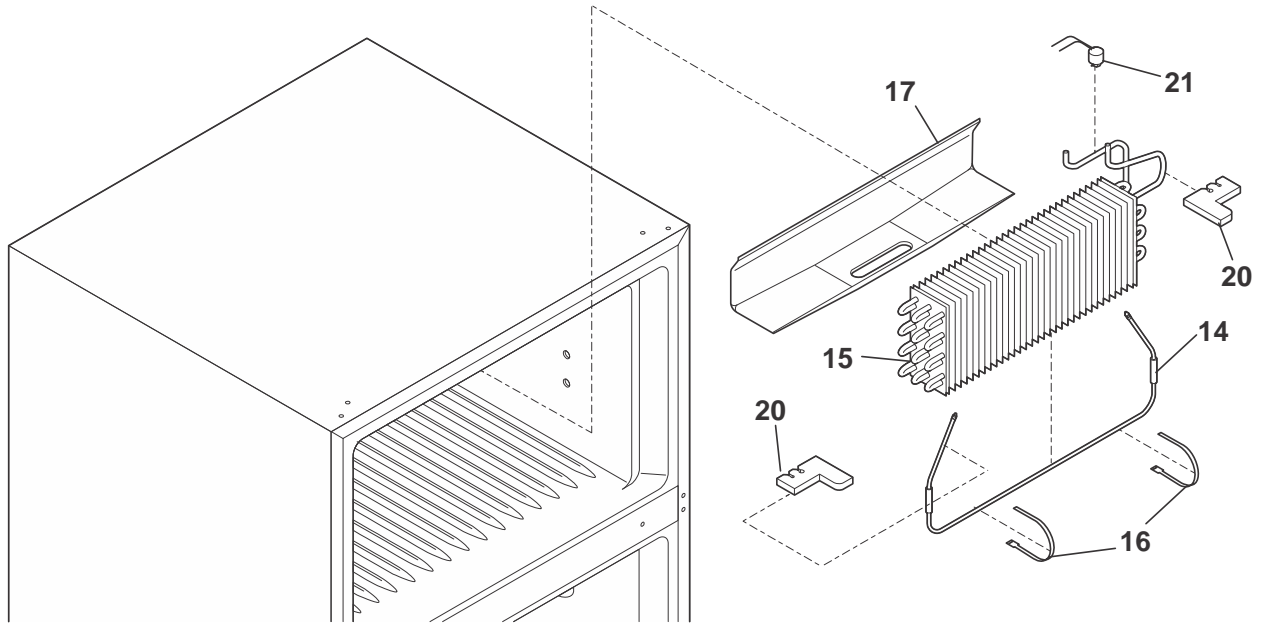
N05SABGFV13

**SHELVES**

*Model Index:* A FGTD20V4G (FGTD20V4GM4)  
B FGTD20V4G (FGTD20V4GW4)

POS. NO	PART NO.		DESCRIPTION
10	215667501	A B	Tray, ice cube, plastic
11	240358005	A B	Shelf, freezer, full-width, wire
12	240545001	A B	Diffuser, air, top
13	240362601	A B	Diffuser, air, bottom
14 #	241554901	A B	Switch-light/lamp
15	218814401	A B	Light Bulb
16	240433702	A B	Socket-light/lamp
17	240352701	A B	Control Box
17*	240568607	A B	Seal
17*#	240375502	A B	Wiring Harness, control box
18	240360801	A B	Knob, temp control
21 #	5304458064	A B	Control-temperature
22A	240468201	A B	Tube, sensor sleeve, 31 inch, plastic, white
23 #	240545405	A B	Control-defrost, adaptive timer, 220/240 V, PC board
23*	5304455649	A B	Screw, pan hd, 6-20 x 0.438
24	240360905	A B	Shelf, sliding, wire
25	240364714	A B	Cover-crisper pan
25B	241613501	A B	Control-humidity, RH
25C	241613502	A B	Control-humidity, LH
26	240337103	A B	Pan-crisper, clear, (2), no graphics
29	240430708	A B	Trim-shelf
30	240361801	A B	Cover, meat pan hanger, drop through
31	240530811	A B	Pan-meat, w/o graphics, clear
34	240385201	A B	Container, ice bin
47	241711219	A B	Insert-pan cover, glass
61	215781501	A B	Shelf, ice tray mount, wire
75	240412701	A B	Shield, light
81	5304455650	A B	Screw, hex washer head, 8-15A x 0.625, Low Profile

**SYSTEM**



N05CAAABD0



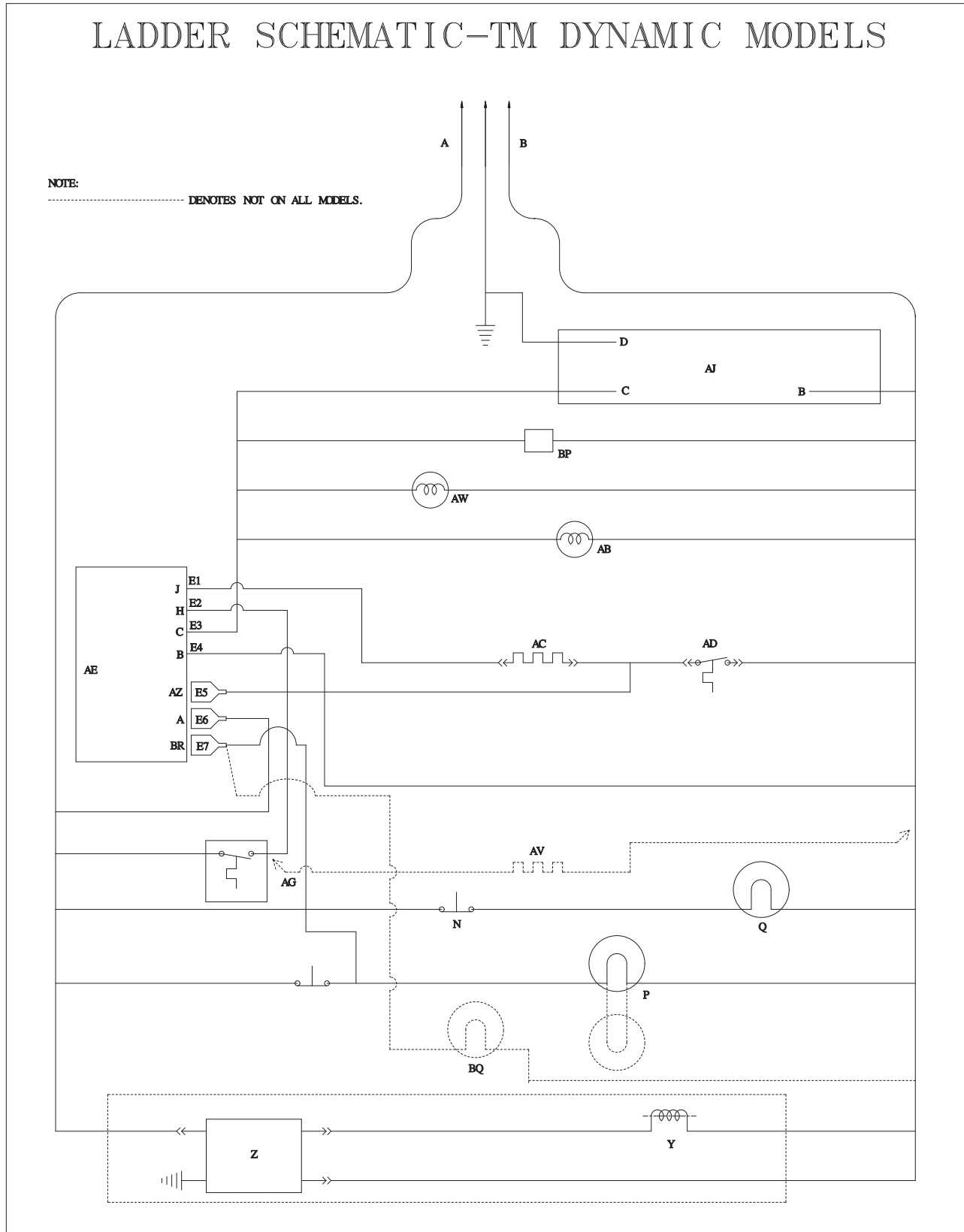
## SYSTEM

---

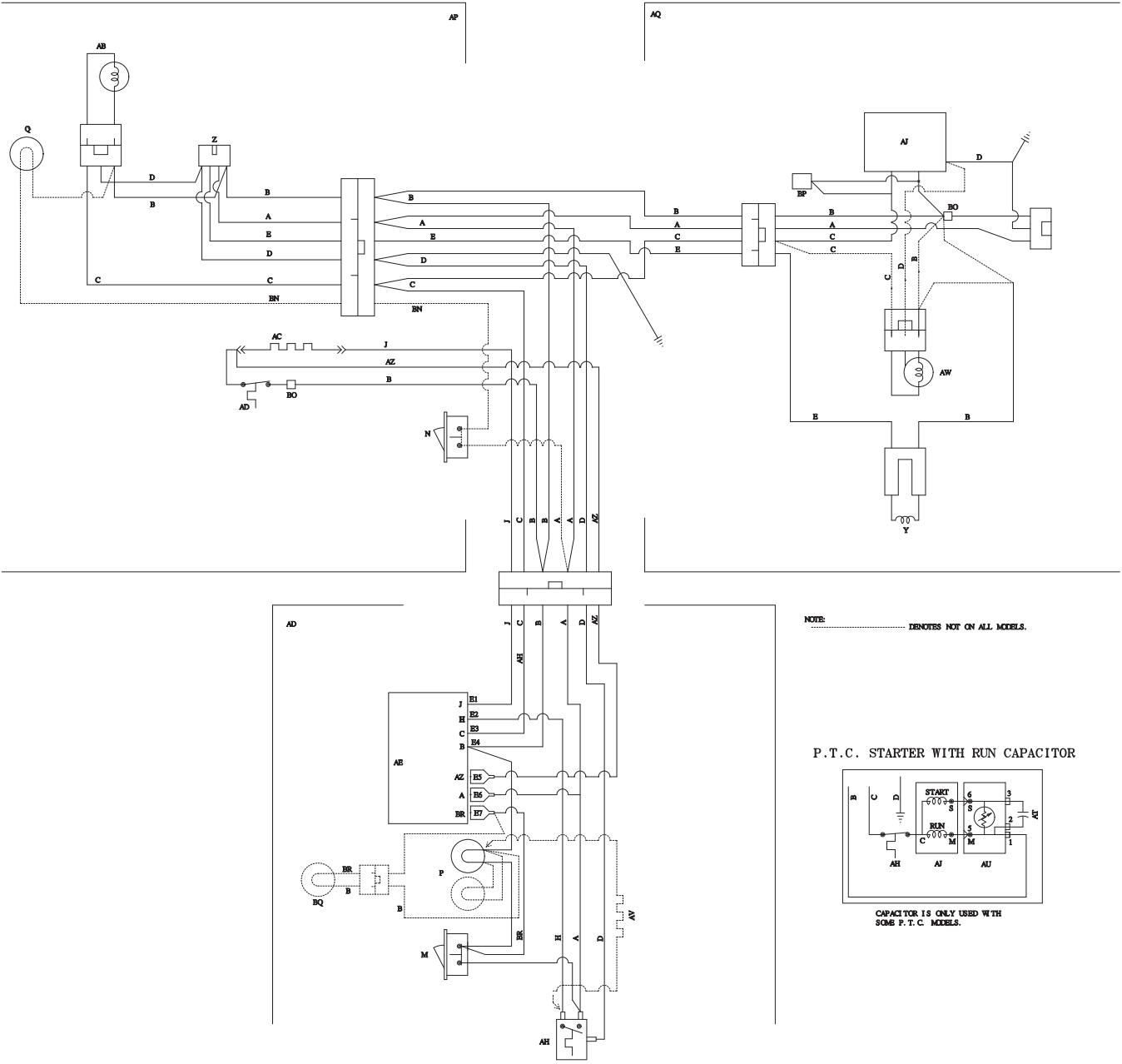
*Model Index:*    A FGTD20V4G (FGTD20V4GM4)  
                           B FGTD20V4G (FGTD20V4GW4)

POS. NO	PART NO.		DESCRIPTION
1 #	241785404	A B	Condenser, dynamic
4	218944002	A B	Drier-filter, R134a System
6 #	241723306	A B	Cord-service
6*	240451503	A B	Screw, ind hex wshr hd, 8-32 x 0.375, trilobe
6*	241735901	A B	Bracket Assembly
6*	241832601	A B	Harness-wiring, freezer
6* #	240375502	A B	Wiring Harness, control box
6* #	241626401	A B	Harness-wiring, machine compt
14 #	240356216	A B	Defrost Heater, 220 V
15 #	5303918274	A B	Evaporator Kit
16	5308000110	A B	Strap-evap/heater, aluminum, (2)
17	241801301	A B	Trough-drain
20	241551901	A B	Insulation Block
21	5303918202	A B	Thermostat-defrost, kit
22	241665606	A B	Base-compressor
22*	218252201	A B	Screw, #8 truss hd, 10-32CA x 0.500
23	218513300	A B	Grommet-compr mtg, (4)
24	241812301	A B	Washer-compr mtg
25	216056401	A B	Clip-compressor mtg
26	241683601	A B	Pan-defrost
29 #	240550927	A B	Compressor
30 #	241707714	A B	Starter-PTC
32	241544101	A B	Clamp, elec cont mtg, compressor, bale wire
34	240405201	A B	Grommet, rubber, black, cond tube/wire
45	241500304	A B	Screw, hex washer head, 8-18AB x 0.625
55 #	218909908	A B	Capacitor, run
57	240542601	A B	Clip-wiring harness
58	218897002	A B	Screw, hex washer head, 8-32 x 0.375
58	218897004	A B	Screw, hex washer head, 8-32 x 0.375
59	241935602	A B	Shroud, cond fan motor
59*	240346710	A B	Tape-foam seal, shroud
59*	240359403	A B	Screw-fan shroud, (2)
60 #	241696603	A B	Motor-condenser fan
61	240524102	A B	Fan Blade, condenser fan
82	5304418225	A B	Roller, compressor base, rear, (2)
83	5304455655	A B	Rivet, flat head, 1/4 OD x 1-3/4, roller pin
84	240359601	A B	Tube-drain, lower
85	241856904	A B	Tube-connector, suction
*	240396801	A B	Clamp, tube/wiring, nylon, black/natural
*	5303918241	A B	Hot Tube Repair Kit, 220 V, service
*	5303918263	A B	Heat Exchanger Kit, suction line

WIRING SCHEMATIC

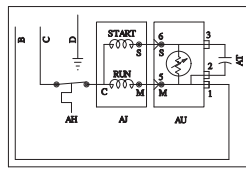


# WIRING DIAGRAM



NOTE: ..... DENOTES NOT ON ALL MODELS.

### P.T.C. STARTER WITH RUN CAPACITOR



CAPACITOR IS ONLY USED WITH SOME P. T. C. MODELS.

241845601